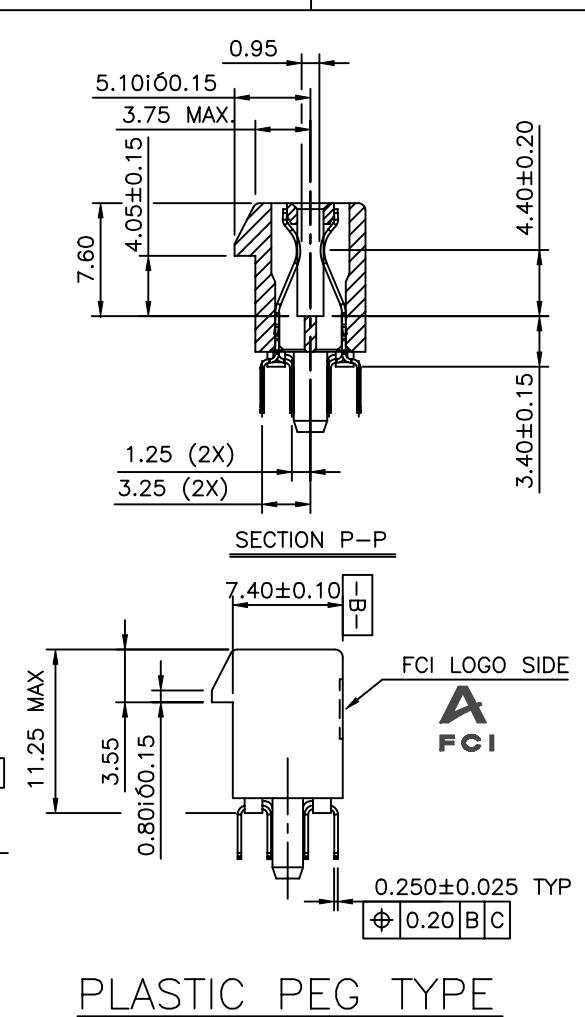
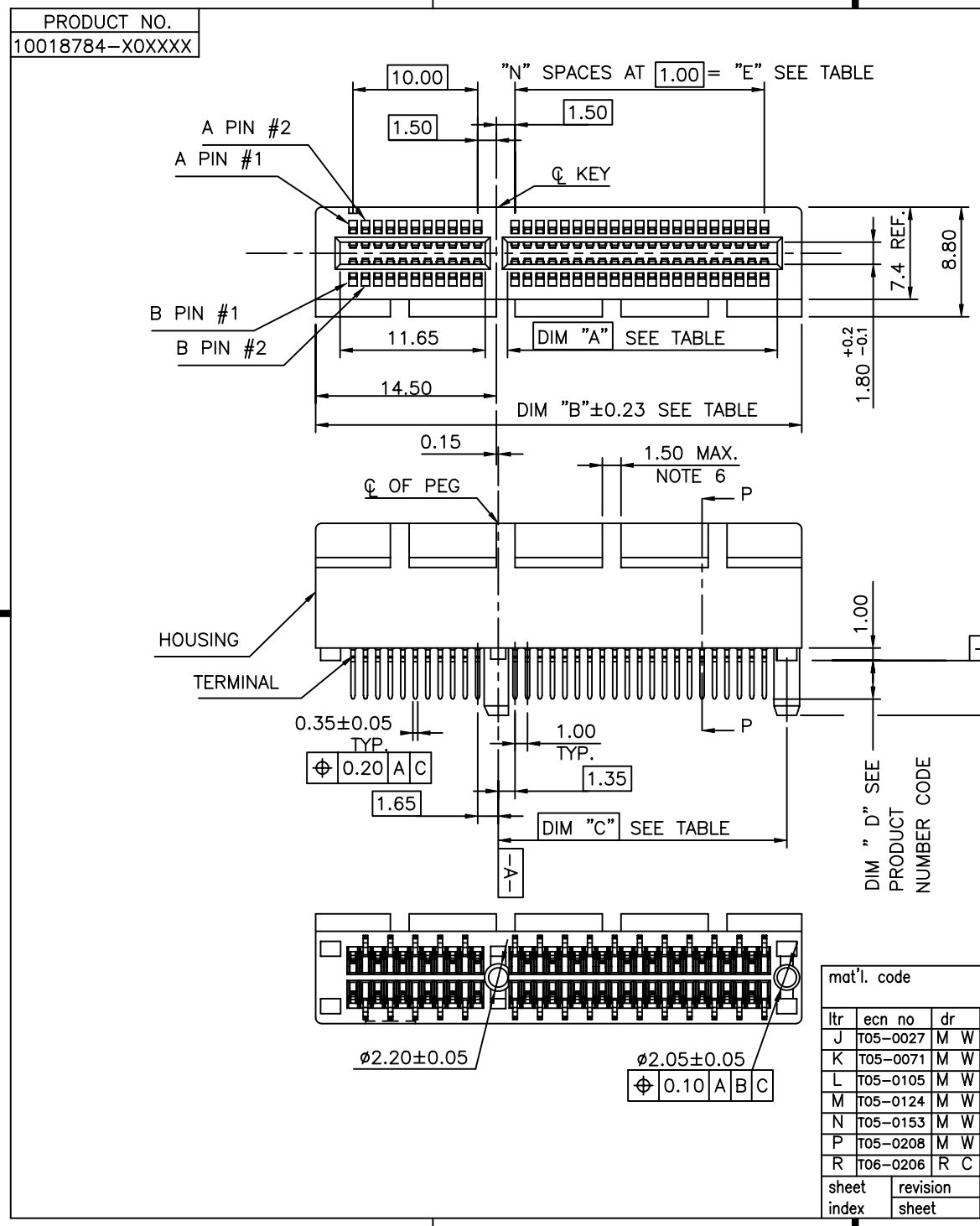


Tous droits strictement reserves. Reproduction ou communication a des tiers interdite sous quelque forme que ce soit sans autorisation ecrite du proprietaire. Propriete de c FCI. Droits de reproduction FCI.

All rights strictly reserved. Reproduction or issue to third parties in any form whatever is not permitted without written authority from the proprietor. Property of FCI. Copyright FCI.



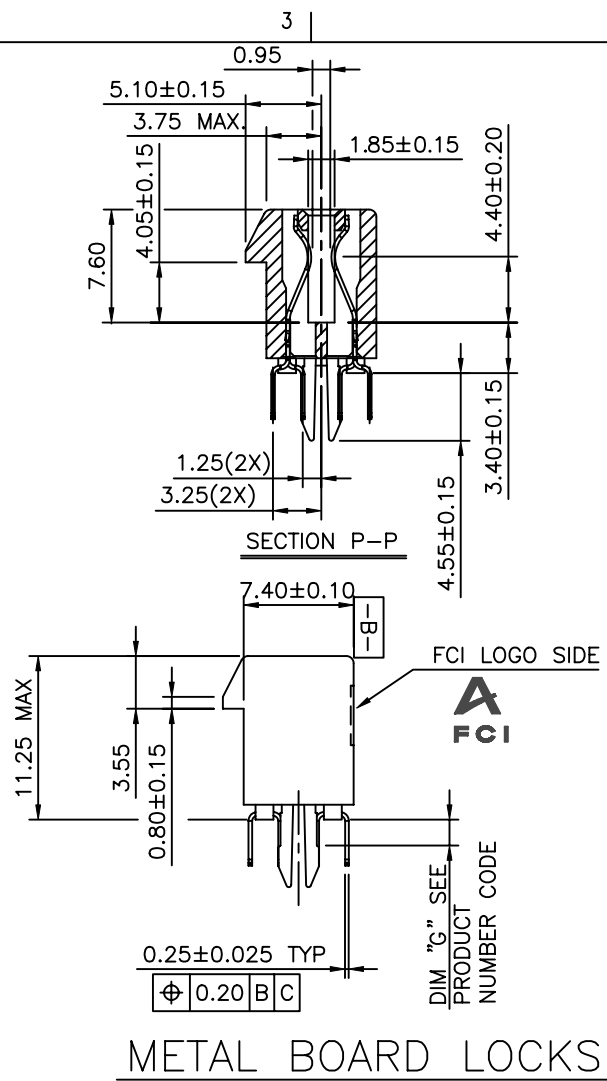
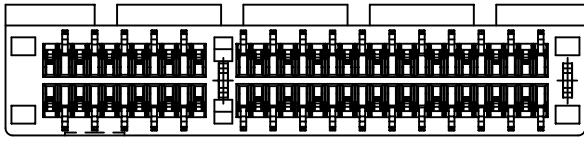
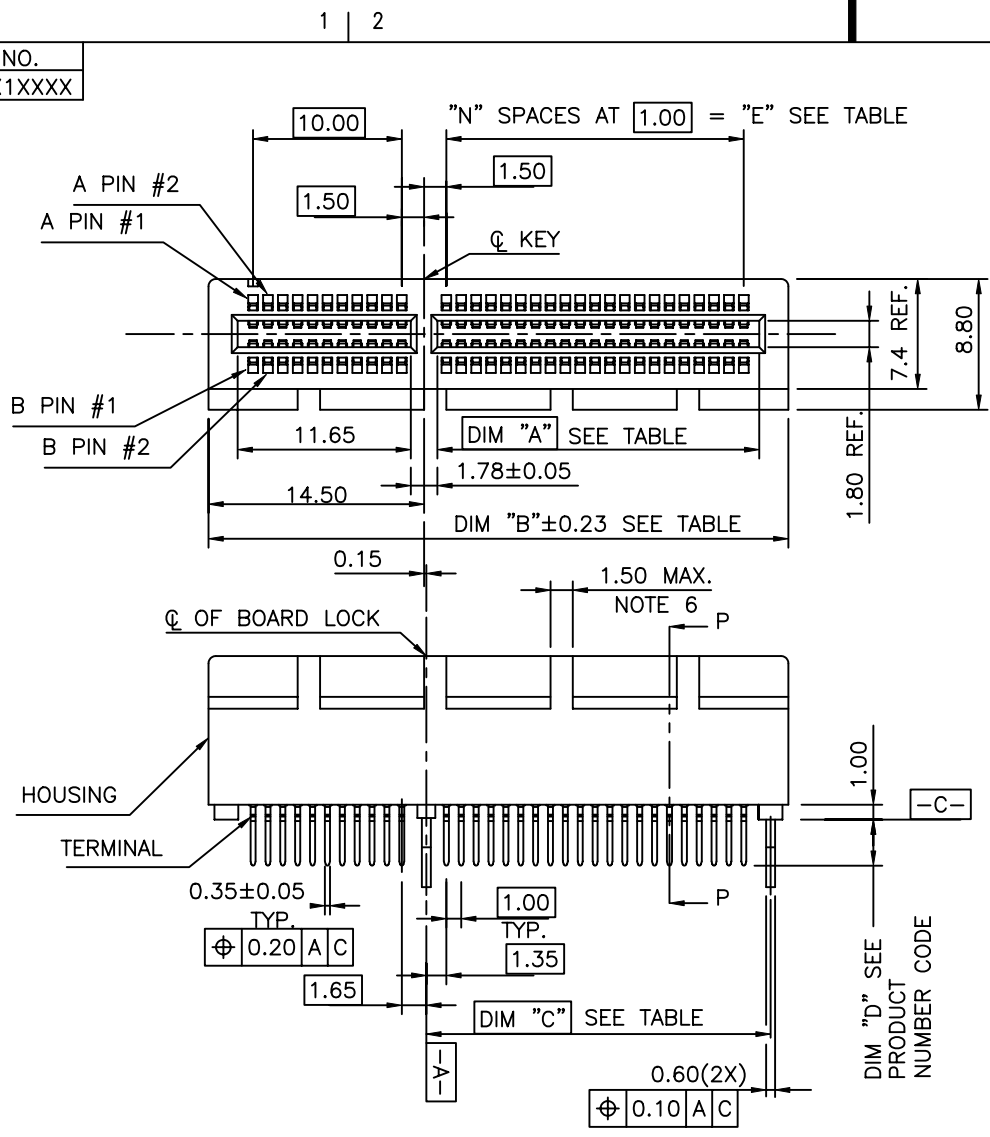
CONFIDENTIAL

mat'l. code				tolerances unless otherwise specified				CUSTOMER COPY		FCI www.fciconnect.com			
J	T05-0027	M	W	02/04/05	linear	.X ± 0.30		projection	title PCI EXPRESS CARD EDGE ASSY				
K	T05-0071	M	W	04/06/05		.XX ± 0.20							
L	T05-0105	M	W	05/11/05	angles	.XXX ± 0.10		MM	product family		EDGE CARD		
M	T05-0124	M	W	06/07/05	dr	MAGGIE WU	07/30/02		size		dwg no		
N	T05-0153	M	W	07/12/05	enr	R Y LIU	07/30/02	scale		10018784			
P	T05-0208	M	W	09/15/05	chr	R Y LIU	07/30/02	2:1		sheet			
R	T06-0206	R	C	12/01/06	appd	JENN TSAO	07/30/02			1 of 6			
sheet index	revision sheet	R	P	A	J	R	M						
		1	2	3	4	5	6						

Tous droits strictement reserves. Reproduction ou communication a des tiers interdite sous quelque forme que ce soit sans autorisation ecrite du proprietaire. Propriete de c FCI. Droits de reproduction FCI.

All rights strictly reserved. Reproduction or issue to third parties in any form whatever is not permitted without written authority from the proprietor. Property of FCI. Copyright FCI.

PRODUCT NO.
10018784-X1XXXX



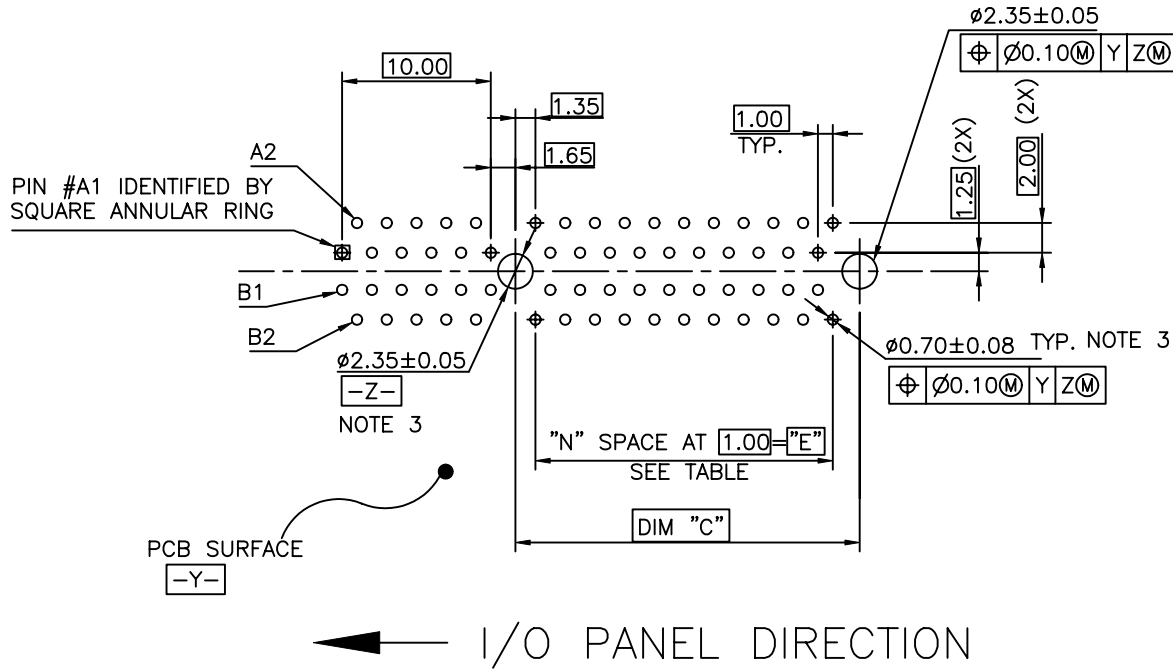
METAL BOARD LOCKS TYPE

CONFIDENTIAL

mat'l. code				tolerances unless otherwise specified		CUSTOMER COPY		FCI www.fciconnect.com	
ltr	ecn no	dr	date	linear	.X ± 0.30	projection	title		
P					.XX ± 0.20		PCI EXPRESS CARD EDGE ASSY		
				angles	.XXX ± 0.10	MM	product family		code
				dr	0° ± 2°		EDGE CARD		TWN
				engr	MAGGIE WU 07/30/02	scale	size		sheet
				chr	R Y LIU 07/30/02		dwg no		2 of
				appd	JENN TSAO 07/30/02		A4		
sheet index	revision sheet					2:1	10018784		

Tous droits strictement reserves. Reproduction ou communication a des tiers interdite sous quelque forme que ce soit sans autorisation ecrite du proprietaire. Propriete de c FCI. Droits de reproduction FCI.

All rights strictly reserved. Reproduction or issue to third parties in any form whatever is not permitted without written authority from the proprietor. Property of FCI. Copyright FCI.



RECOMMENDED FOOTPRINT

CONFIDENTIAL

mat'l. code				tolerances unless otherwise specified			CUSTOMER COPY		 www.fciconnect.com		
ltr	ecn no	dr	date	linear	.X ±		projection	title			
A					.XX ±			PCI EXPRESS CARD EDGE ASS'Y			
				angles	.XXX ±		 MM	product family		code	
					0° ±2°			EDGE CARD		TWN	
				dr	MAGGIE WU	07/30/02	scale	size		sheet	
				engr	R Y LIU	07/30/02		dwg no		3 of	
				chr	R Y LIU	07/30/02		A4			
				appd	JENN TSAO	07/30/02		10018784			
sheet index	revision sheet										

Tous droits strictement réservés. Reproduction ou communication a des tiers interdite sous quelque forme que ce soit sans autorisation écrite du propriétaire. Propriete de c FCI. Droits de reproduction FCI.

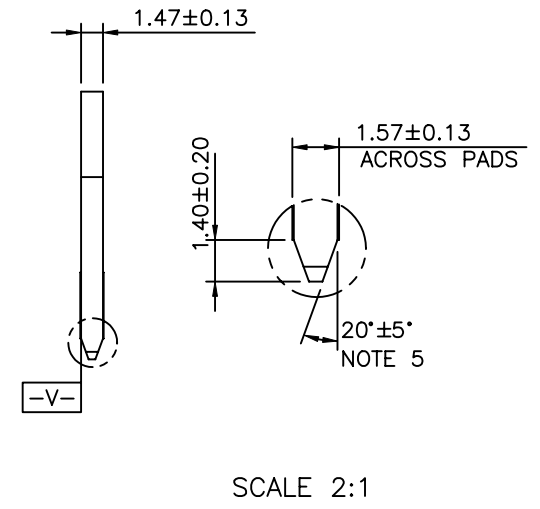
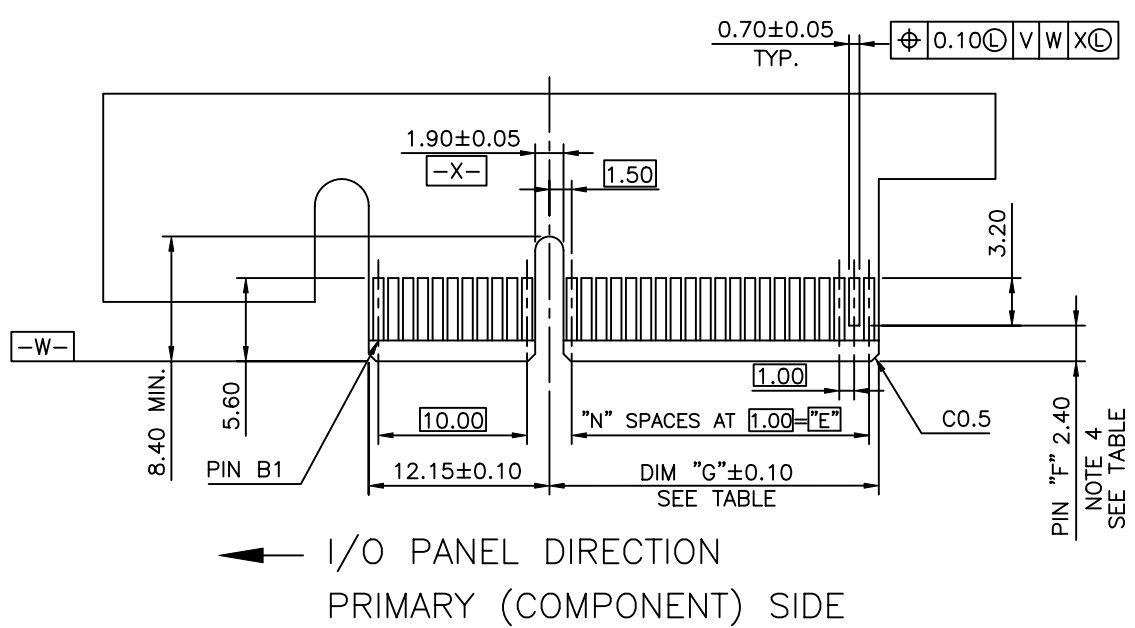
All rights strictly reserved. Reproduction or issue to third parties in any form whatever is not permitted without written authority from the proprietor. Property of FCI. Copyright FCI.



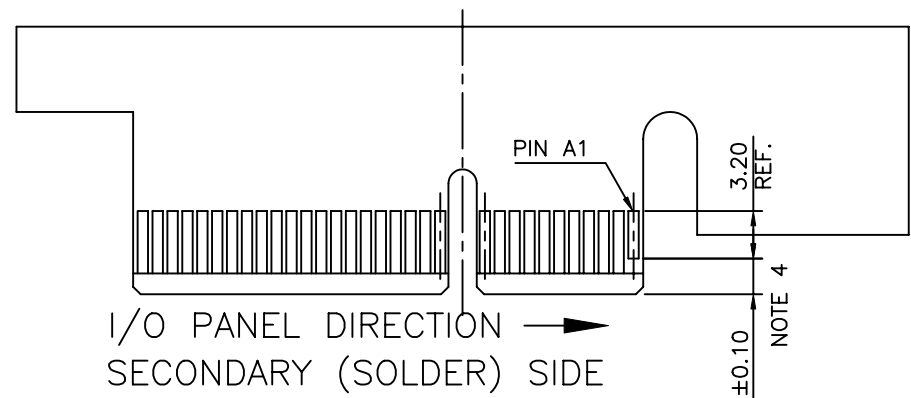
1 | 2

3 |

4



← I/O PANEL DIRECTION
PRIMARY (COMPONENT) SIDE



ADD-IN CARD EDGE-FINGER DIMENSIONS

CONFIDENTIAL

#	POS REF.	N	DIM "G"	"F"
36		6	8.15	B17
64		20	22.15	B31
98		37	39.15	B48
164		70	72.15	B81

mat'l. code				tolerances unless otherwise specified		CUSTOMER COPY		FCI www.fciconnect.com	
ltr	ecn no	dr	date	linear	.X ±	projection	title		
J					.XX ±		PCI EXPRESS CARD EDGE ASS'Y		
				angles	.XXX ±	MM	product family		code
					0° ±2°		EDGE CARD		TWN
				dr	MAGGIE WU 07/30/02	scale	size		sheet
				engr	R Y LIU 07/30/02		dwg no		
				chr	R Y LIU 07/30/02		A4		
				appd	JENN TSAO 07/30/02	2:1		10018784	
sheet index	revision sheet								

1 | 2

3 |

4

ACAD

PDM: Rev:R

STATUS: Released
cage code 22526
Printed Aug 02, 2008

NOTES:

- 1.MATERIAL:
 - HOUSING: NYLON, GLASS FILLED UL94V-0 RATE, SUITABLE FOR WAVE SOLDERING.
 - TERMINAL: COPPER ALLOY
 - PLATING: 50u" NICKEL UNDERPLATE ALL OVER
CONTACT AREA PLATING - SEE PRODUCT NUMBER CODE
SOLDER TAIL: TIN/LEAD (90/10) - SEE PRODUCT NUMBER CODE 100u" MIN. OVER 50u" NICKEL
 - METAL BOARD LOCKS: COPPER ALLOY
FINISH: 100u" TIN/LEAD (90/10) OVER 50u" NICKEL
UNDERPLATE SEE PRODUCT NUMBER CODE
- 2.PRODUCT SPECIFICATION: GS-12-233
- ③THE HORIZONTAL AXIS FOR THE HOLE PATTERN IS ESTABLISHED BY A LINE THROUGH THE CENTER OF THE TWO Ø2.35 HOLES. THE VERTICAL AXIS IS 90° TO THE HORIZONTAL AXIS, THROUGH THE CENTER OF DATUM Z.
- ④NO TIE BAR PERMITTED FROM CARD EDGE TO LEADING EDGE OF PAD FOR PINS A1 AND PIN NUMBERS "F".
- ⑤CHAMFER EDGES MUST BE FREE OF CUTTING BURRS.
- ⑥FREQUENCY & LOCATION AT SUPPLIER DISCRETION. RIDGE MAY BE CONTINUOUS WITH NO BREAKS.
- 7.RoHS COMPATIBLE PRODUCT SPECIFICATIONS
 - a - PLATING:
 - "LF" MEANS THE PRODUCT IS LEAD-FREE, 2um MINIMUM MATTE TIN OVER 1.27um MINIMUM NICKEL UNDERPLATE.
 - b - MANUFACTURING PROCESS COMPATIBILITY
 - THE HOUSING WILL WITHSTAND EXPOSURE TO 260°C±5°C SOLDER BATH TEMPERATURE FOR 5 SECONDS IN A WAVE SOLDER APPLICATION WITH A 1.6mm MIN THICK CIRCUIT BOARD.
 - THE HOUSING WILL WITHSTAND EXPOSURE TO 240°C±5°C SOLDER BATH TEMPERATURE FOR 5 SECONDS IN A WAVE SOLDER APPLICATION WITH A 1.6mm MIN THICK CIRCUIT BOARD.(For 10018784-X 0 X X X X(X X) options)

CONNECTOR	# POS REF.	N	DIM "A"	DIM "B"	DIM "C"	"E"
1 PORT	36	6	7.65	25.00	9.15	6.00
4 PORT	64	20	21.65	39.00	23.15	20.00
8 PORT	98	37	38.65	56.00	40.15	37.00
16 PORT	164	70	71.65	89.00	73.15	70.00

Tous droits strictement reserves. Reproduction ou communication a des tiers interdite sous quelque forme que ce soit sans autorisation ecrite du propriétaire. Propriete de c FCI. Droits de reproduction FCI.

All rights strictly reserved. Reproduction or issue to third parties in any form whatever is not permitted without written authority from the proprietor. Property of FCI. Copyright FCI.

PRODUCT NUMBER CODE

10018784-x x x x x x □□

HOUSING COLOR OPTIONS

- 0-WHITE
- 1-BLACK

PEGS OPTIONS

- 0-PLASTIC PEGS
- 1-METAL BOARD LOCKS

TERMINAL PLATING OPTIONS

- 0-50u" Ni UNDERPLATE
30u" Au CONTACT AREA
100u" TIN TAIL AREA ----- COMPATIBLE RoHS
- 1-50u" Ni UNDERPLATE
15u" Au CONTACT AREA
100u" TIN TAIL AREA ----- COMPATIBLE RoHS
- 2-50u" Ni UNDERPLATE
GOLD FLASH CONTACT AREA
100u" TIN TAIL AREA ----- COMPATIBLE RoHS
- 3-50u" Ni UNDERPLATE
30u" Au CONTACT AREA
100u" TIN/LEAD TAIL AREA ----- INCOMPLIANT RoHS
- 4-50u" Ni UNDERPLATE
15u" Au CONTACT AREA
100u" TIN/LEAD TAIL AREA ----- INCOMPLIANT RoHS
- 5-50u" Ni UNDERPLATE
GOLD FLASH CONTACT AREA
100u" TIN/LEAD TAIL AREA ----- INCOMPLIANT RoHS

LEAD FREE OPTION

LEAVE BLANK FOR TERMINAL PLATING 3,4,5 "LF" FOR TERMINAL PLATING OPTION 0,1,2

POS OPTIONS

- 0-36
- 1-64
- 2-98
- 3-164


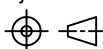
TAIL LENGTH OPTIONS

	DIM "D"	PCB THICKNESS	BOARD LOCKS DIM"G"
0	2.30 ±0.25 -0.13	1.56±0.10	1.70±0.15
1	3.10 ±0.25 -0.13	2.36±0.10	2.50±0.15

PACKAGING OPTIONS

T-TRAY PACKAGING
M-TRAY PACKAGING & MYLAR TAPE FOR PICK-N-PLACE. SEE FIGURE 1

CONFIDENTIAL

mat'l. code				tolerances unless otherwise specified		CUSTOMER COPY		 www.fciconnect.com	
ltr	ecn no	dr	date	linear	.X ±	projection	title		
R					.XX ±		PCI EXPRESS CARD EDGE ASS'Y		
				angles	.XXX ±	 MM	product family		code
				dr	0° ±2°		EDGE CARD		TWN
				engr	MAGGIE WU 07/30/02	scale	size		sheet
				chr	R Y LIU 07/30/02		dwg no		5 of
				appd	JENN TSAO 07/30/02	1:1	A4		
sheet index	revision sheet								

Tous droits strictement reserves. Reproduction ou communication a des tiers interdite sous quelque forme que ce soit sans autorisation ecrite du proprietaire. Propriete de c FCI. Droits de reproduction FCI.

All rights strictly reserved. Reproduction or issue to third parties in any form whatever is not permitted without written authority from the proprietor. Property of FCI. Copyright FCI.

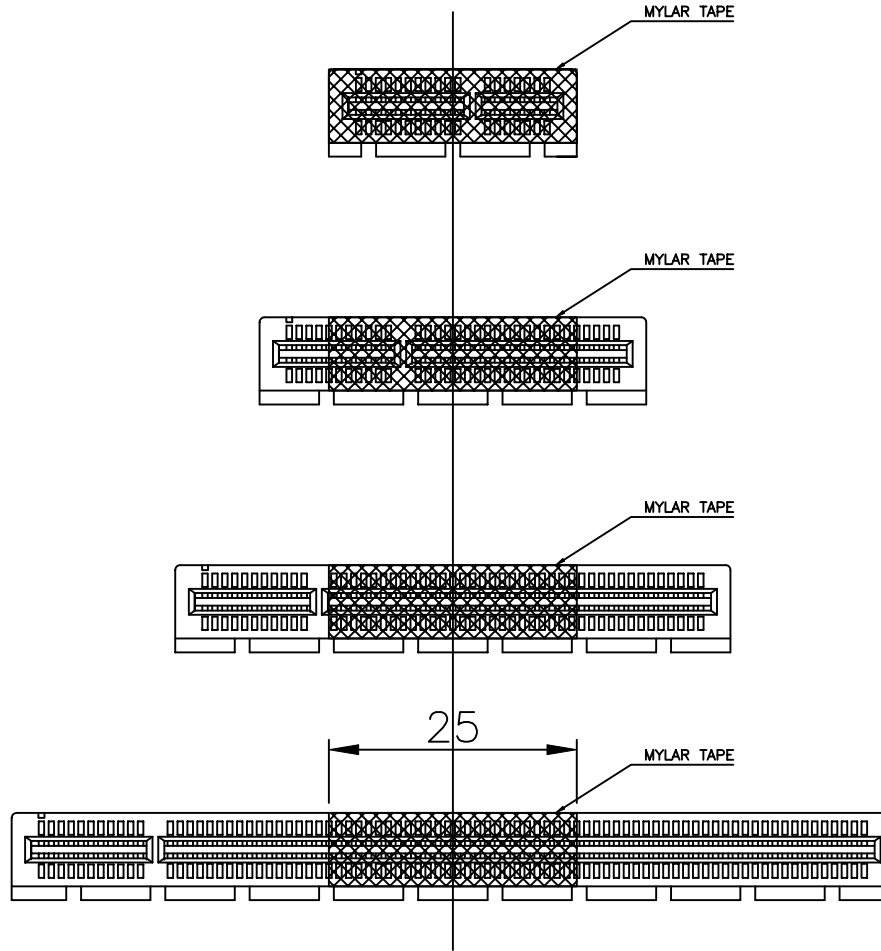

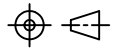


FIGURE 1

CONFIDENTIAL

mat'l. code				tolerances unless otherwise specified			CUSTOMER COPY		 www.fciconnect.com		
ltr	ecn no	dr	date	linear	.X ± 0.25		projection	title PCI EXPRESS CARD EDGE ASS'Y			
M					.XX ± 0.13						
				angles	.XXX ± 0.05		 MM	product family		EDGE CARD	
					0° ± 2°			scale		size	
				dr	MAGGIE WU	06/07/05	1.5:1	dwg no		TWN	
				engr	R Y LIU	06/07/05		A4		sheet	
				chr	R Y LIU	06/07/05		10018784		6 of	
				appd	JENN TSAO	06/07/05					
sheet index		revision sheet									